

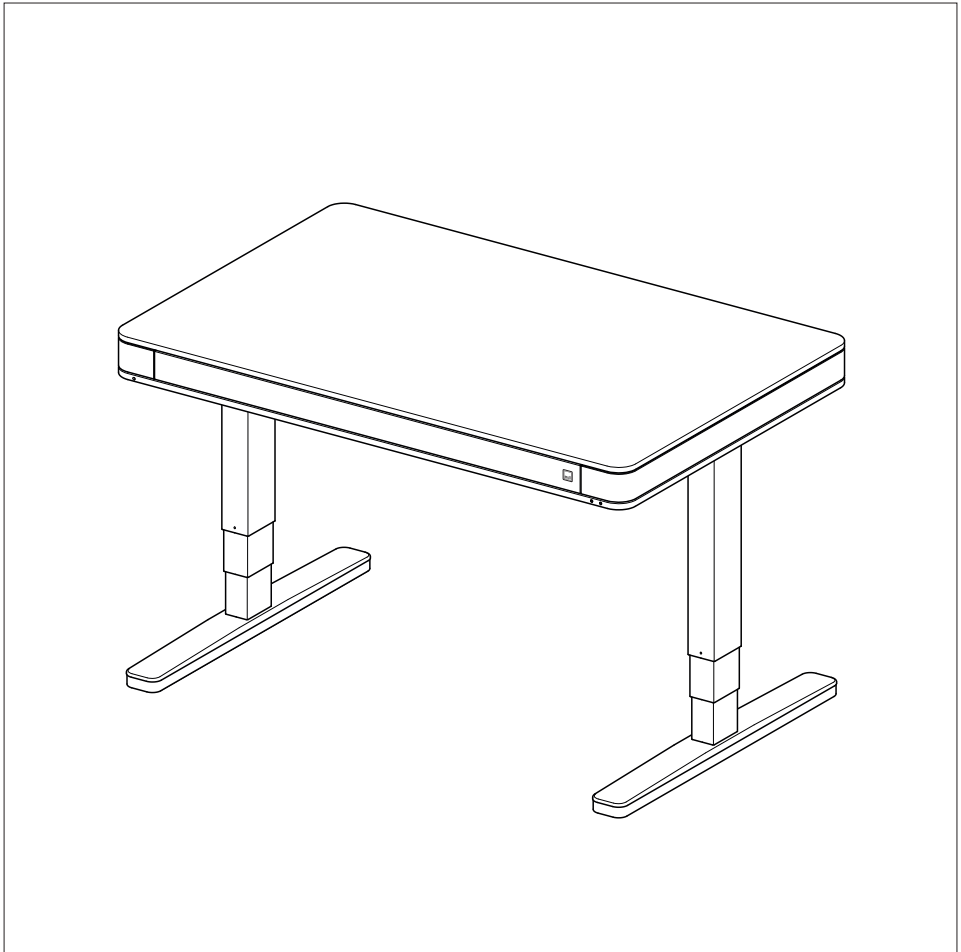


# T7 / T7 XL

Electrically adjustable desk  
for the living area

Operating Manual  
with Safety Instructions

USA 11. 2021





## Safety Instructions

**It is essential to read this operating instruction thoroughly before commissioning the table.**

**Caution:**

The sit-stand table may be used only for its intended use as a writing and working table for the living area.

**Caution:**

This sit-stand table is not designed for continuous operation. The table top height can be adjusted without interruption for no longer than the operating time indicated in this manual (2 min on / 18 min off).

**Caution:**

This unit may only be operated with a mains voltage of 110 - 120 V / 60 Hz.

**Danger:**

Please use only the supplied power cable! Make sure that the power cable is not damaged. Operating the sit-stand table with a damaged power cable is prohibited! It must be replaced to prevent from hazards of electric shock.

**Caution:**

If the product is visibly damaged, makes unusual noises or causes odours, it may not be assembled or used!

**Danger:**

Using this table is only permitted in dry rooms. Protect the table frame and in particular all electrical components on the table from moisture, dripping or splashing water!

**Danger:**

Children must not play with the device!

Cleaning and user maintenance shall not be carried out by children without supervision.



## Safety Instructions

### Danger:

This unit can be used by children aged 8 years and above and by persons with reduced physical, sensory, or mental capabilities, or lack of experience and knowledge, if they are supervised or have been instructed in the safe use of the unit and understand the hazards involved.

### Danger:

Do not open the motor control unit under any circumstances. There is a danger of electric shock. Electrical equipment may only be opened or replaced by trained and qualified personnel.

### Danger:

There is a danger of crushing when changing the table top position! You must therefore ensure that no persons or objects are located in the hazardous area or reach into it.

### Note:

Furniture parts made of solid wood or with real wood surfaces react to light irradiation, temperature and humidity fluctuations. In order to enjoy your piece of furniture for along time, do not position it too close to heaters and fireplaces or place it in cold or damp places. Quickly remove spills with a cloth and rub the surface dry. To prevent irregular color changes in the surface, protect your furniture from sunlight and move decorations and objects on the table frequently. The color variations of the wood are a typical characteristic of the grown natural raw material as well as an essential authenticity feature and do not represent a reason for complaint.

**Please keep this operating manual for future reference !**

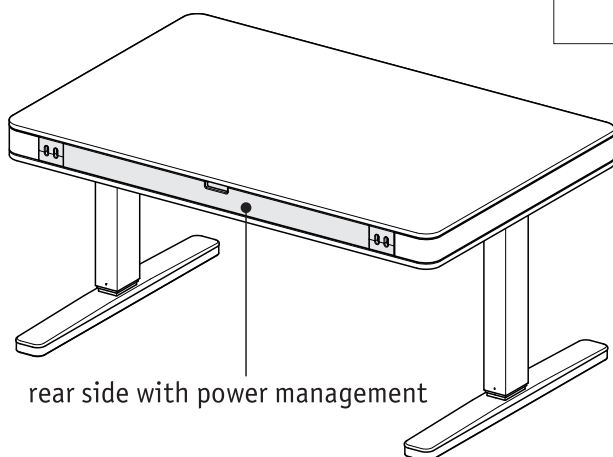
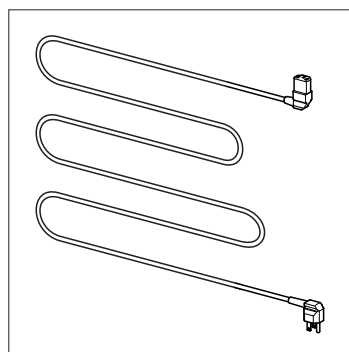
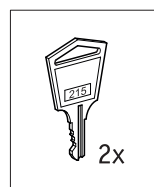
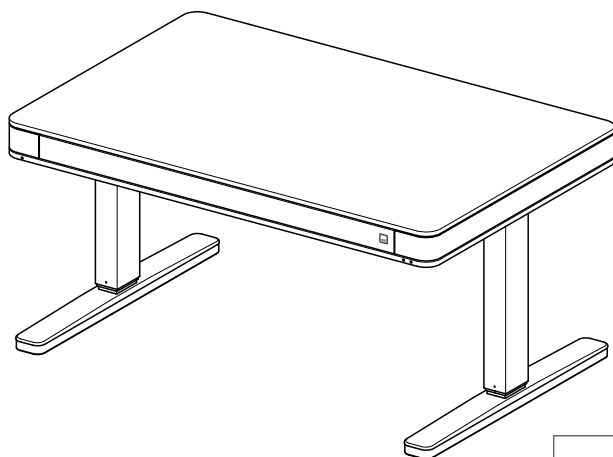
**It is a part of the table and contains important safety informations. When the table is sold, rented out or otherwise passed on to another party, it must be handed over with this operating manual.**



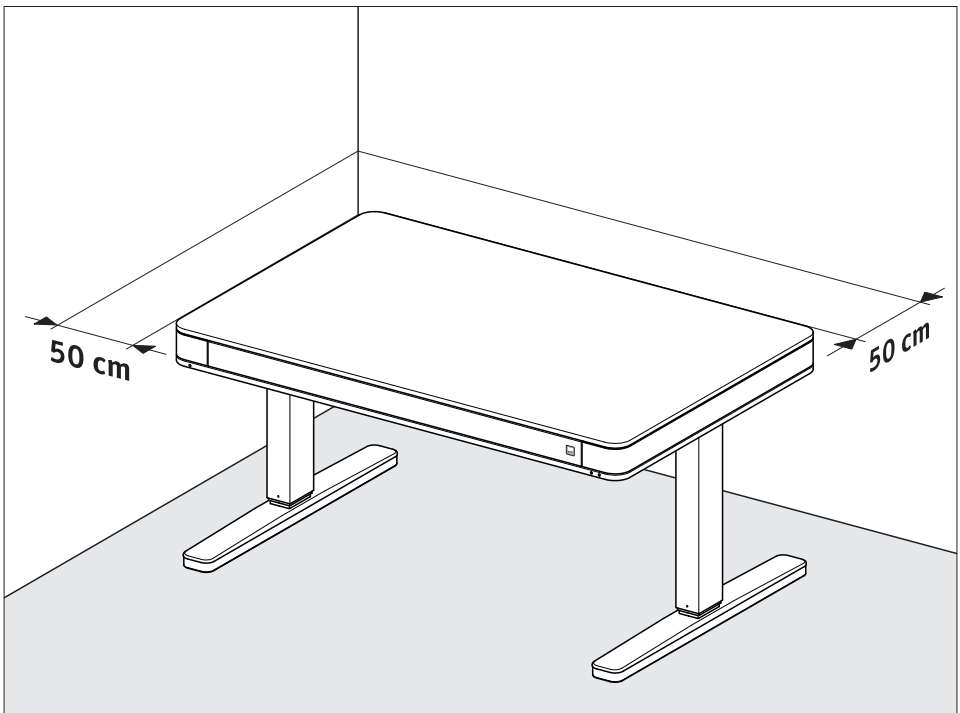
## Check for completeness

T7 / T7 XL

11. 2021



rear side with power management



## Safety Instructions



To avoid crushing or shearing hazards, the desk with its moving parts must keep a minimum distance of 50 cm to adjacent objects such as furniture, building parts etc.

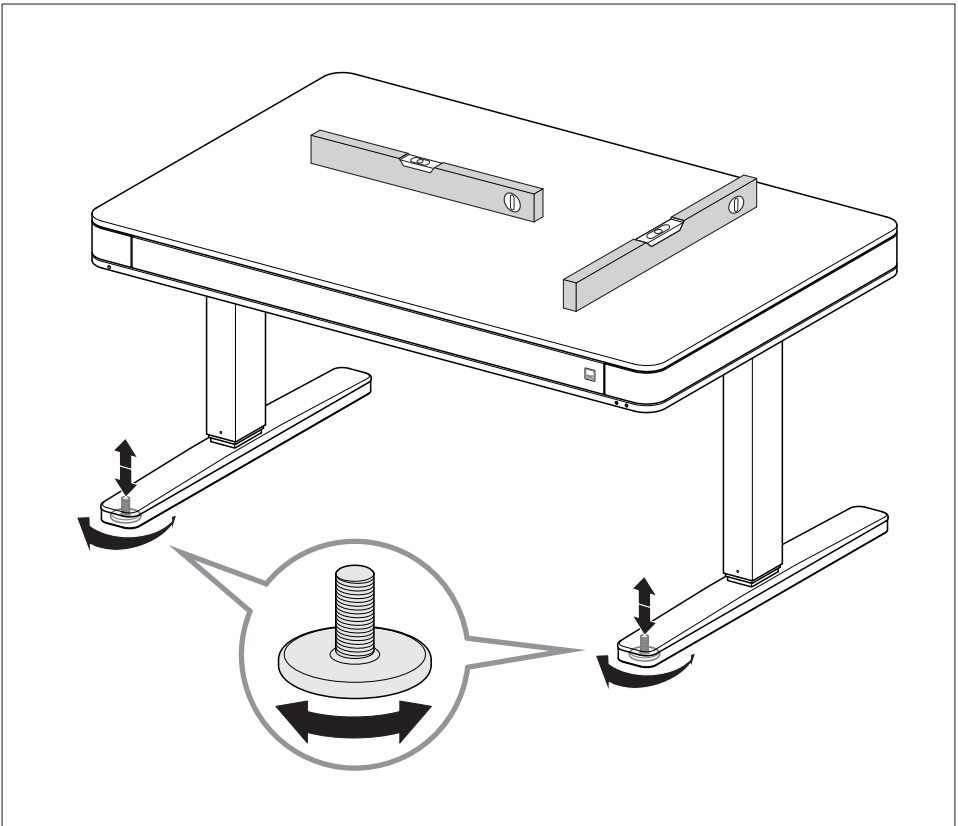
When adjusting the table top height, the user must make sure that nobody can be injured and no objects can get damaged. The desk must not collide with fixed objects, because it otherwise may tip over!

Before adjusting the table top height, please move away chairs, containers etc. to avoid possible collisions.

Solid objects are usually detected by the optional collision protection, but the danger of crushing for persons still exists! The collision protection protects the system, NOT persons!



## Levelling the desk

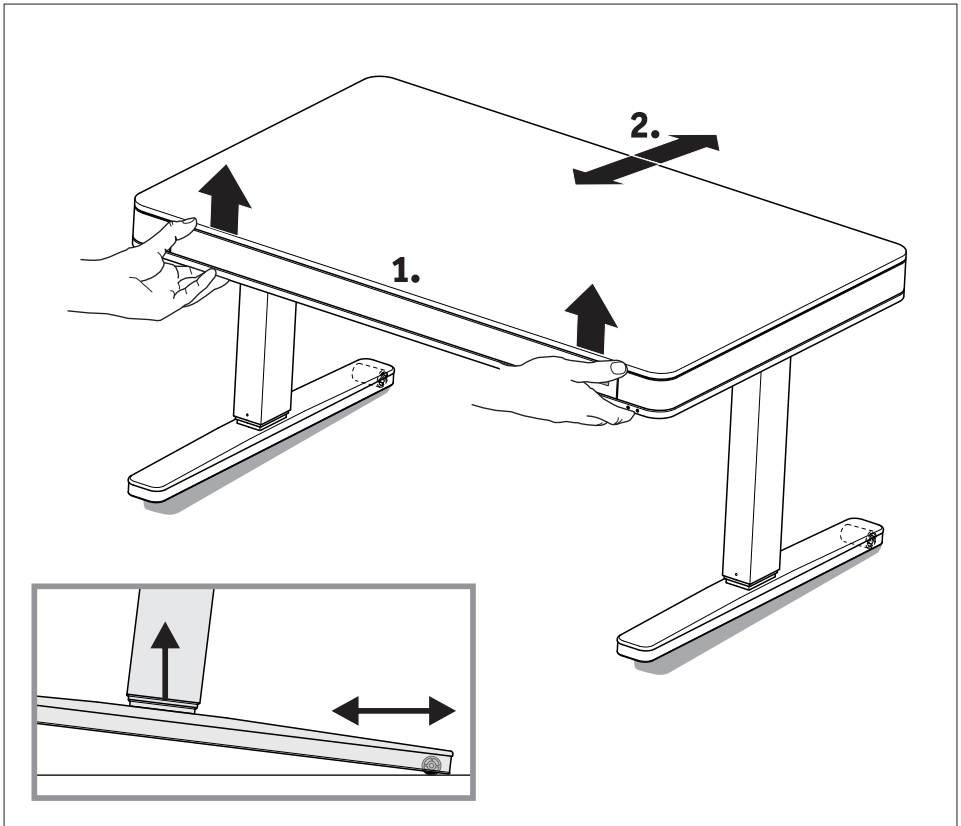


### Note

The desk must be aligned horizontally with the adjustment plates. Thus, the best stability is achieved.



## Moving the desk



### Note

To move the desk, simply raise the front. Now it can be easily moved back and forth on the integrated casters.



**Important! Before putting the table into operation, it is essential that you perform a reset:**

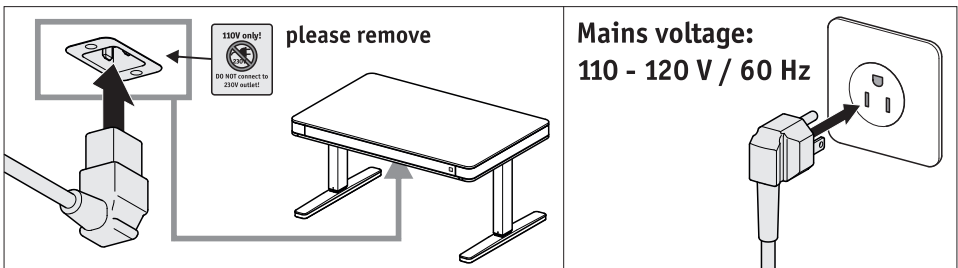
Press the "DOWN" button (see p. 11) and the "Safety" button (left side of the table) until the table has reached its lowest position. Then release both buttons. Press both buttons again and keep them pressed (approx. 5 seconds) until the table has made a slight movement downwards and upwards again. Do not release the buttons until the table has stopped moving. If the keys are released too early, this will lead to a table malfunction. In this case the process must be repeated.

**Note:**

If a shelf stop and / or a container stop position has been programmed, it remains stored even after a reset and must be deactivated manually (see page 13)

**Danger:**

**The collision protection is not active during the reset process. Be aware of the potential risk of crushing.**



**Caution**

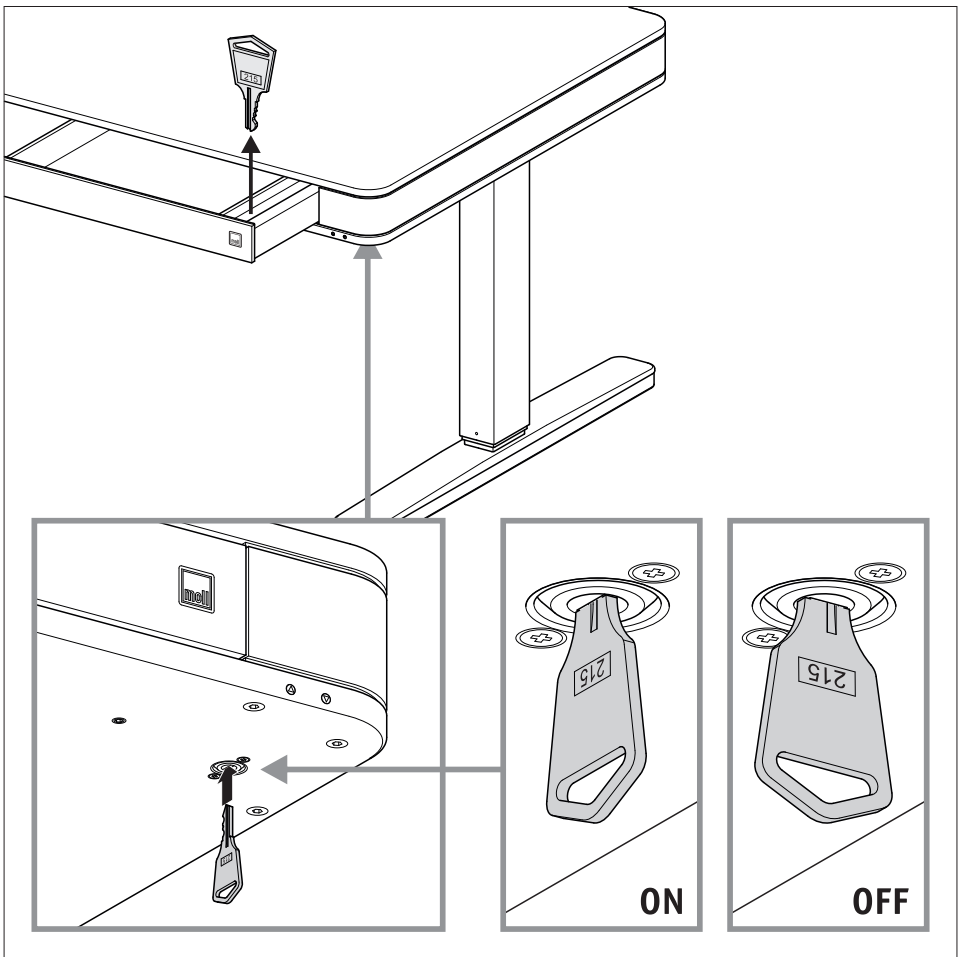


Make sure that the cable length is also sufficient when the desk is in the top position. Route the cable so that it is not likely to trip over it.

**Danger!**

Should the power cord become damaged, unplug the desk immediately!





## Note

The key switch protects against unauthorized height adjustment of the table. When the key is removed in the „off“ position, the table can not be adjusted accidentally or on purpose.

## Caution



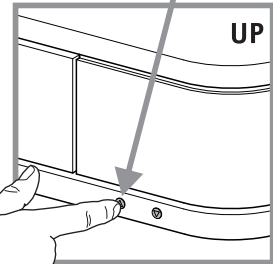
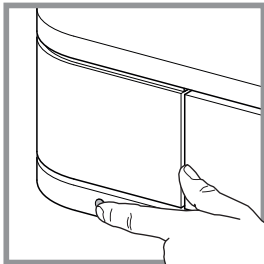
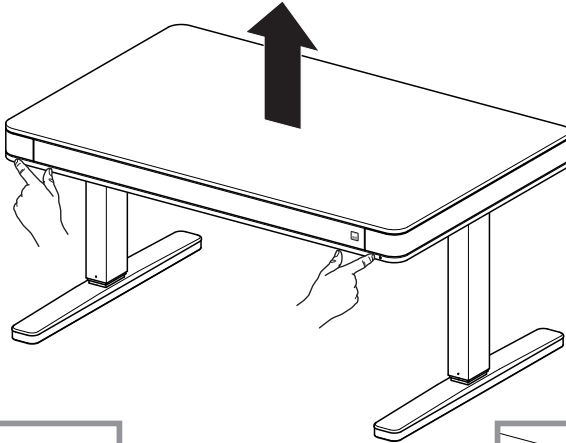
Caution! Remove key during use.  
Please do not leave the key in the lock - risk of injury!



## Upward desktop movement



When adjusting the table top height, please make sure that the table movement will not get blocked (e.g. by window sills, chair armrests, file cabinets etc.) and that no persons are located in the hazardous area or will reach into it.

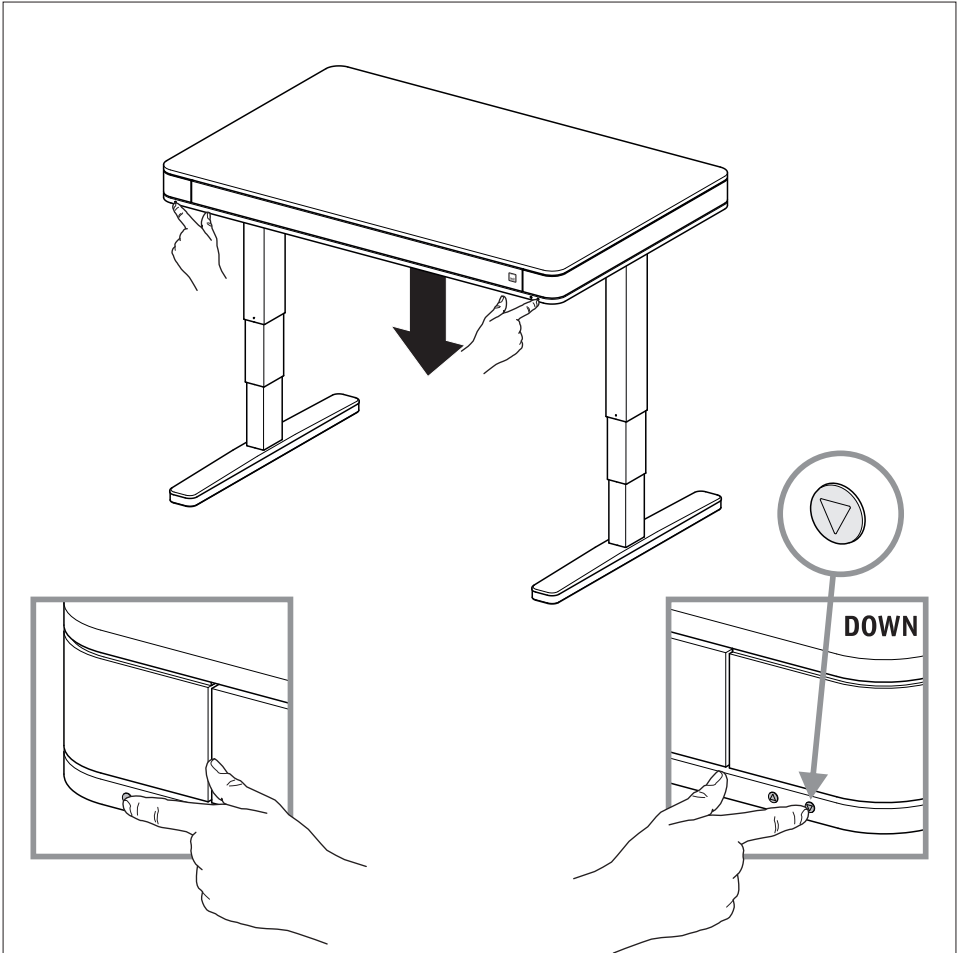


## Note

As delivered, the desk's height adjustment requires two-hand operating for safety reasons. The button on the left side of the table and the "UP" or "DOWN" button must be pressed simultaneously while the lock switch is in the "ON" position (see page 9). The two-hand operating can be switched off permanently, this allows desk operation without actuating the left button (see page 12).



## Downward desktop movement



### Note

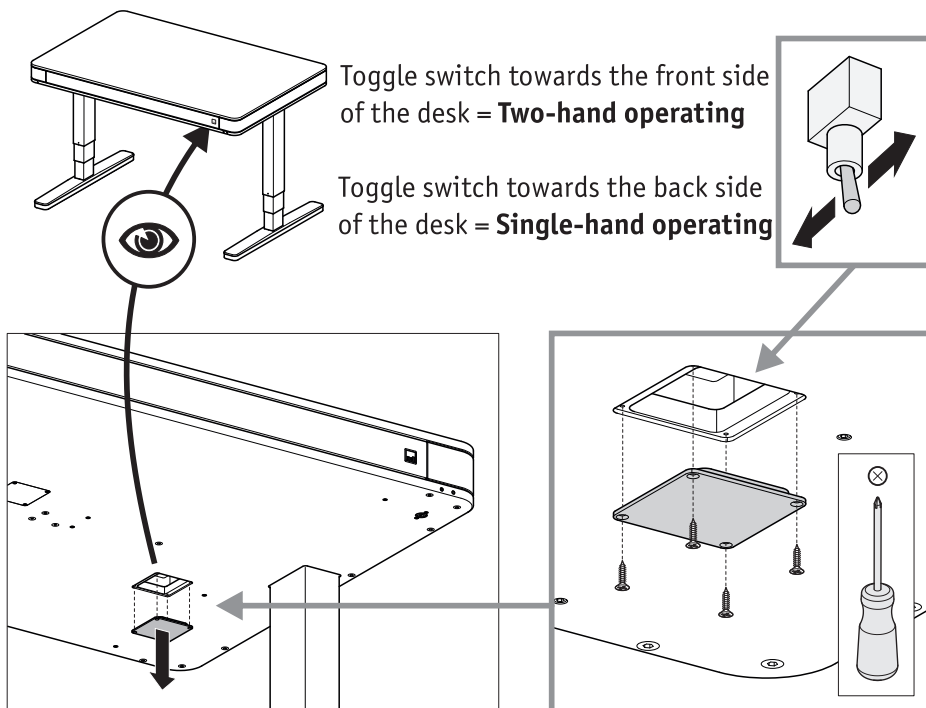
Maximum operation time: **2 minutes** of continuous operation, the control unit is automatically disabled for the next **18 minutes!**

The operation duration is then automatically limited to this period.

This prevents the table drive from overheating.

## Enabling single-hand operating

The table can be permanently set to single-hand operating so it can be adjusted using the "UP" and "DOWN" keys without pressing the left button. **Please disconnect the mains plug from the socket before changing this setting!** Remove the plastic cover on the right bottom side of the desk (4 screws, see picture) to get access to the toggle switch.



## Important safety note



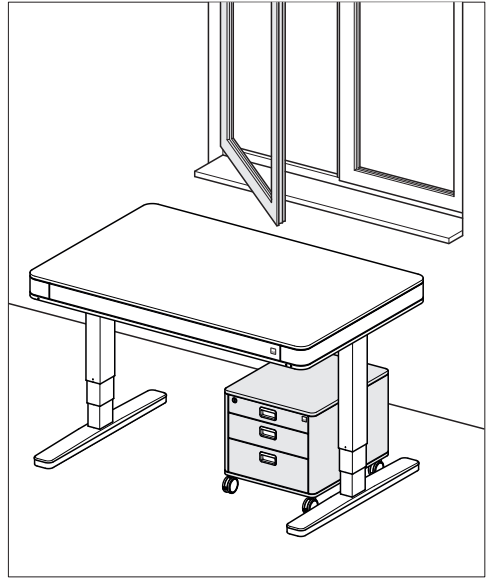
**The two-hand operating is a safety feature of the desk! The conversion to single-handed operating is at the user's own responsibility!**



## Container-stop / Shelf-stop positions

### Container-stop and shelf-stop position

These two functions can be used to limit the range of movement of the sit-stand table (e.g. if a file cabinet is located under the sit-stand table). A container-stop position can be set only in the lower half of the movement range, a shelf-stop position only in the upper half of the movement range. If a container stop position is set, it is used as the lower end position, while a shelf-stop position corresponds to the upper end position of the movement range.



To **activate** a container- or shelf-stop position, follow these steps:

1. Move the sit-stand table to the position that you want to define as a new container- or shelf-stop position.
2. Press the button on the left side and the UP and DOWN buttons simultaneously for **10 seconds**. The control unit confirms the successful activation with a **double-click** sound.

To **deactivate** a container- or shelf-stop position, follow these steps:

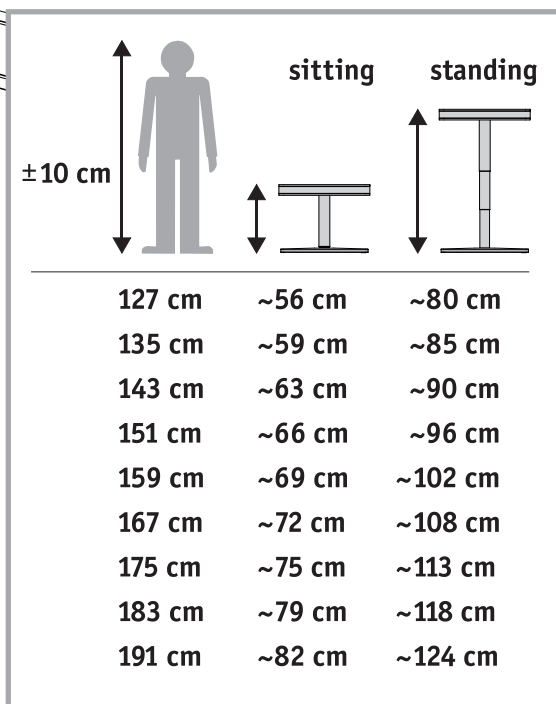
1. Move the sit-stand table to any position in the lower half of the movement range to deactivate the container-stop, or in the upper half of the movement range for the shelf-stop position.
2. Press the button on the left side and the UP and DOWN buttons simultaneously for **10 seconds**. The control unit confirms the deactivation with a **single click** sound.

These steps must be carried out separately for the container stop position and for the shelf stop position!

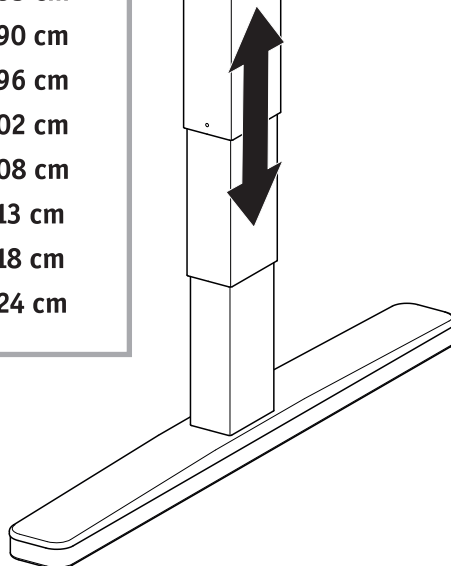


## Height adjustment

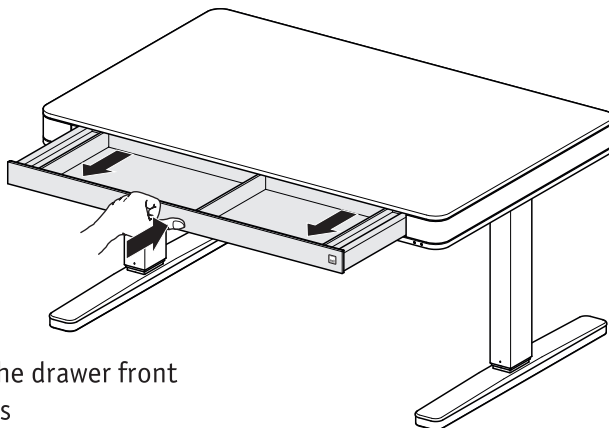
The desktop height is continuously adjustable from 56 cm to 118 cm (with height adapter from 66 cm to 128 cm - see page 20)



Recommended adjustments

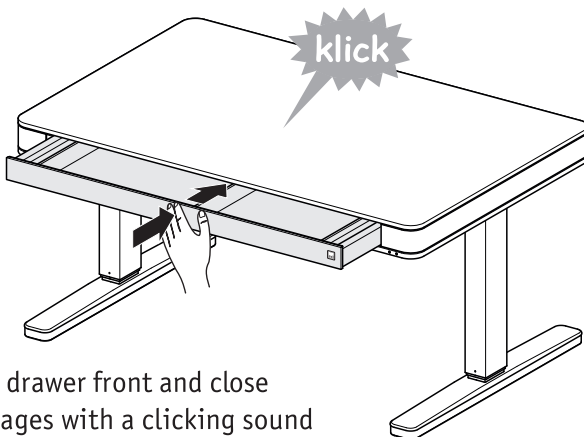


## Opening the drawer

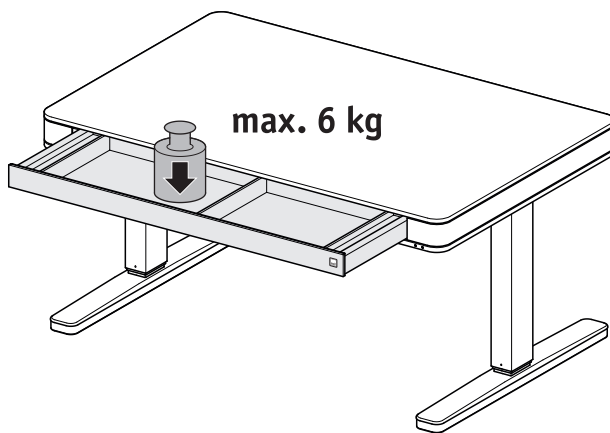


press the center of the drawer front  
and the drawer opens

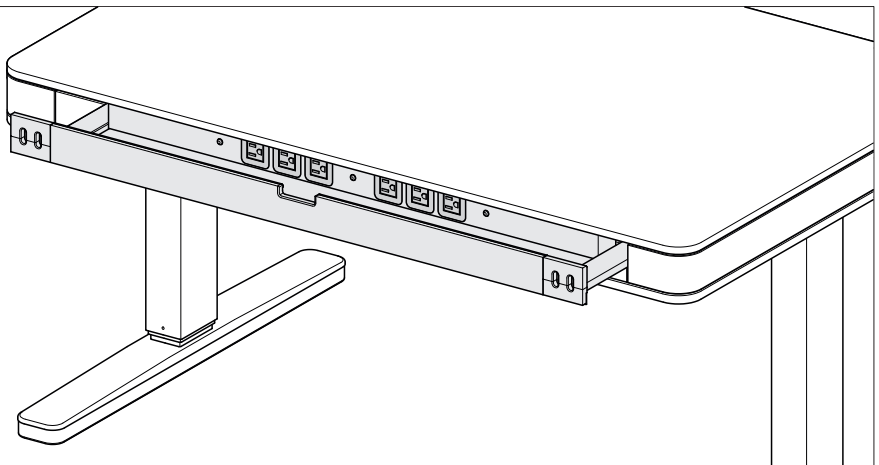
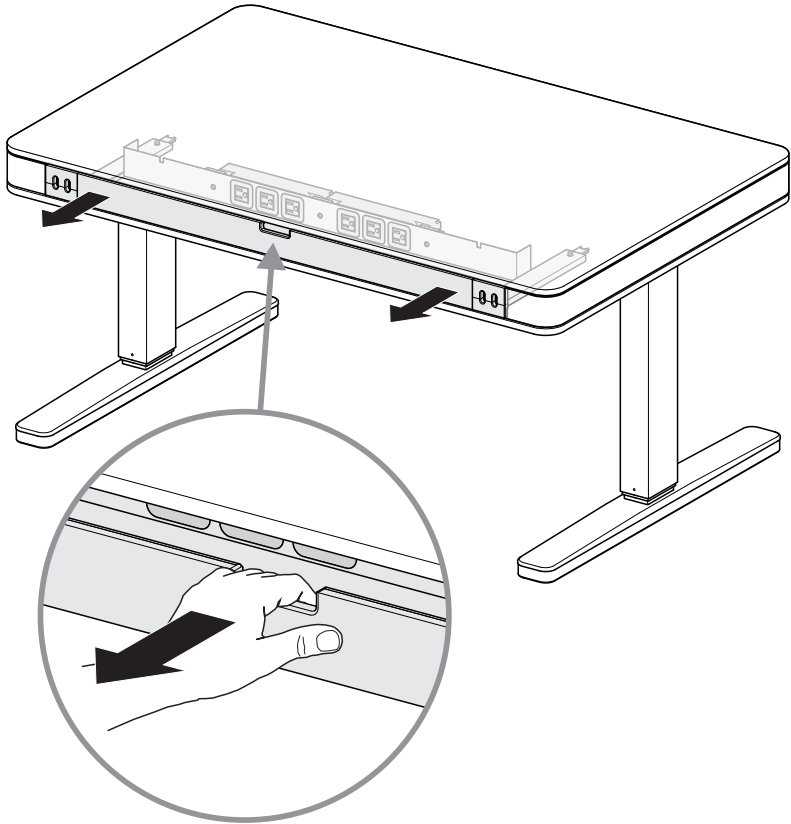
## Closing the drawer



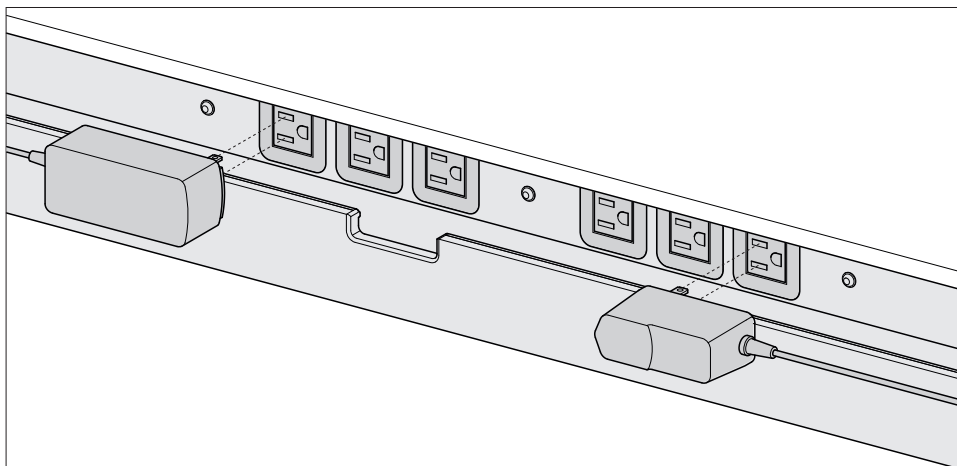
press the center of the drawer front and close  
the drawer until it engages with a clicking sound



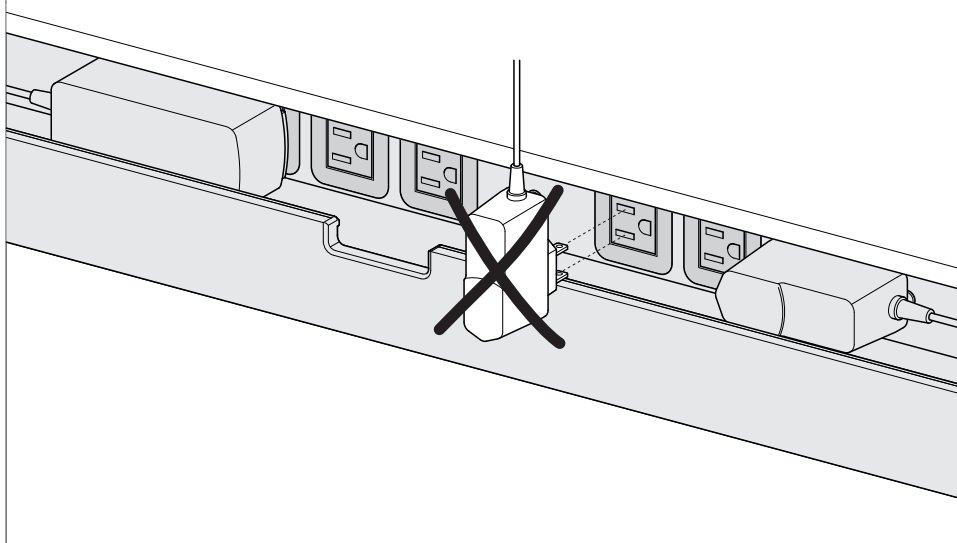
**Power-Management**  
with integrated power outlets



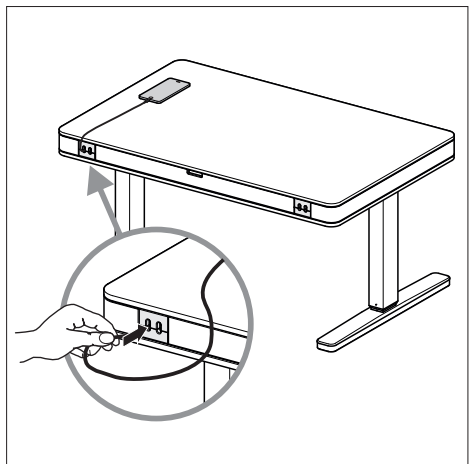
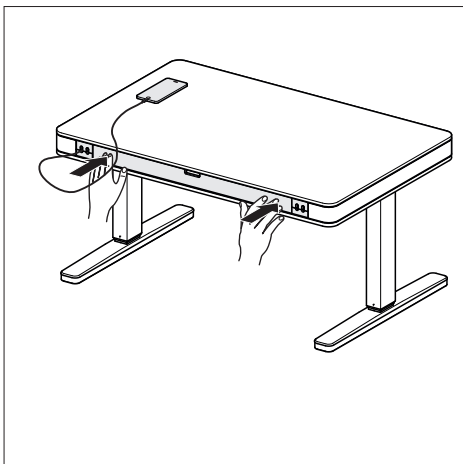
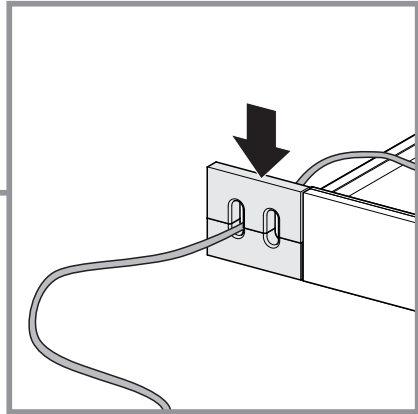
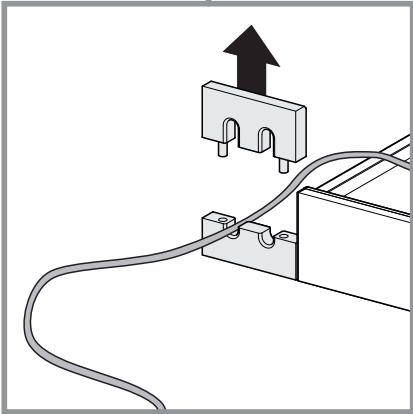
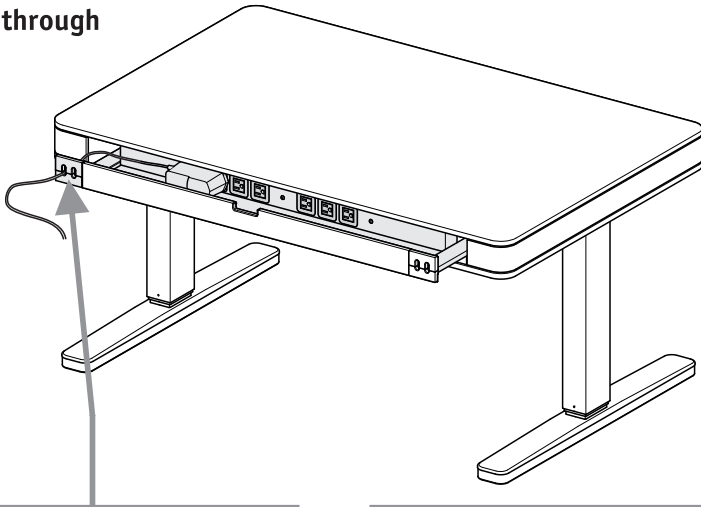




**Please make sure that you plug in the connectors and power supplies so that they are not damaged and that no wires get pinched when the drawer is closed.**

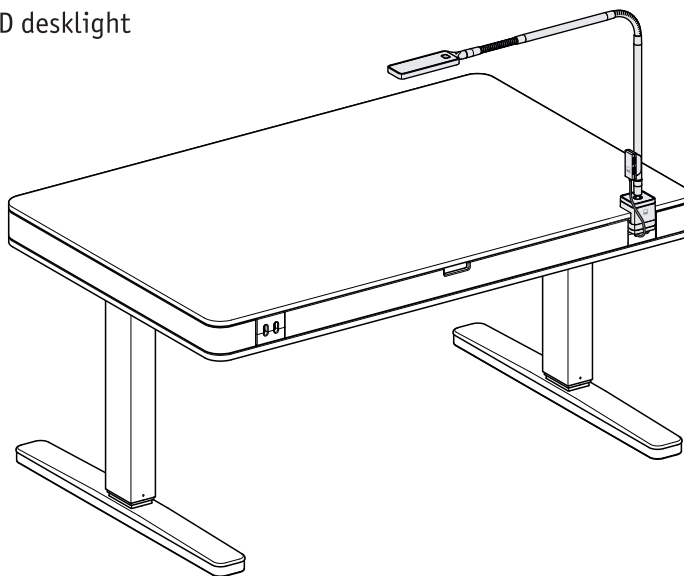


# Cable feedthrough



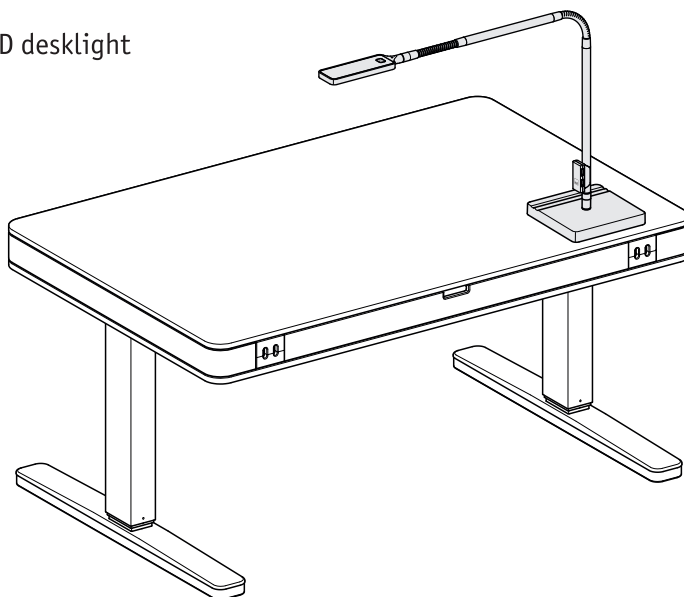
## Flexlight

flexible LED desklight



## L7

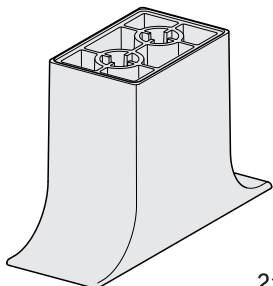
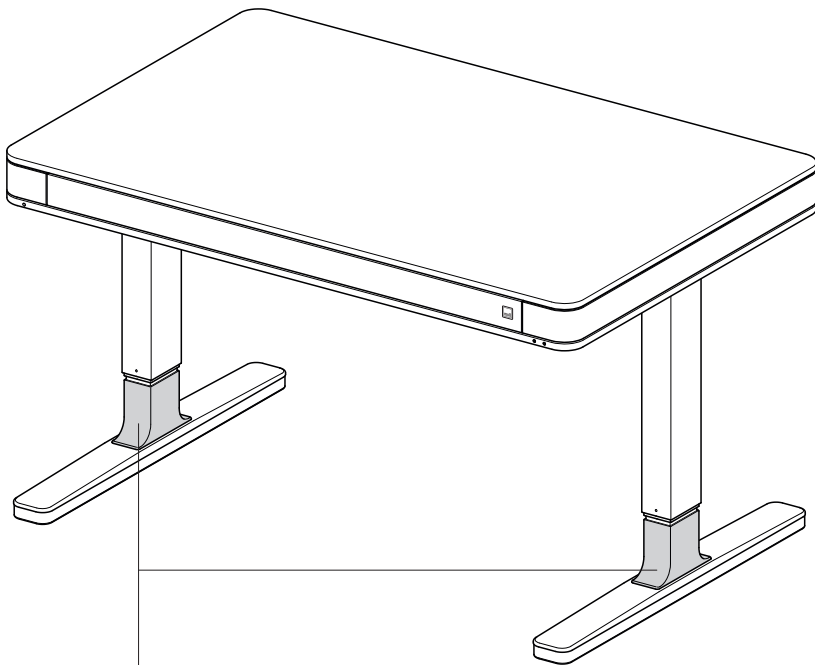
flexible LED desklight



## Accessories

**Height adaptor** to increase the desktop height by 10 cm

The desktop height with this adaptor is adjustable from 66 cm to 128 cm



2x

### **The height cannot be adjusted:**

- Is the connection cable correctly plugged into the table and does the socket have electrical power?
- Is the key switch in the correct position (see page 9)?
- Has the maximum switch-on time been exceeded (see page 11)?

### **The table only moves up slowly:**

- Maximum lifting force has been exceeded, reduce the weight.

### **The table only moves downwards with reduced speed:**

- The table is in fault mode and needs a reset (see page 8)

### **The table stops moving up or down before it has reached the top or bottom height:**

- Is the "Container-stop / Shelf-stop" function activated (see page 13)?

### **The table stops during raising or lowering and travels a short distance in the opposite direction:**

- The table has bumped against an obstacle and the collision protection has been triggered. Eliminate the cause of the collision!

### **Reset of the table:**

Before putting the table into operation, if it has been disconnected from the power supply for a longer period or if there is a malfunction on the table, the control unit of the table must be initialized. Please perform a reset (see page 8)

### **Cleaning and care:**

For regular cleaning of the table surface, we recommend a damp cloth and a mild household cleaner.

Please do not use any scouring agents!

## Technical Data

Desktop size (corpus) T7: 115 x 75 x 9 cm

Desktop size (corpus) T7 XL: 150 x 75 x 9 cm

Desk height (continuously adjustable):

without adaptor 56 - 118 cm

with adaptor (optional) 66 - 128 cm

Drawer internal dimensions:

T7: W 44,0 / D 30 / H 4 cm

W 35,5 / D 30 / H 4 cm

T7 XL: W 44,0 / D 30 / H 4 cm (2x)

W 12,5 / D 30 / H 4 cm (2x)

Max. drawer load: 6 kg

Max. loading capacity T7: 60 kg

Max. loading capacity T7 XL: 50 kg

Lifting speed: 38 mm / s

Noiselevel: < 60 dB(A)

Temperature range for operation: 0° bis +30° C

Temperature range for storage: -40° bis +50° C

Humidity for operation: 5% to 85% (non-condensating)

Humidity for storage: 5% to 90% (non-condensating)

Protection class I

IP class IP 20

Max. duty cycle: 10% ( 2 min. on / 18 min. off )

Nominal voltage: 110 - 120 V / 60 Hz

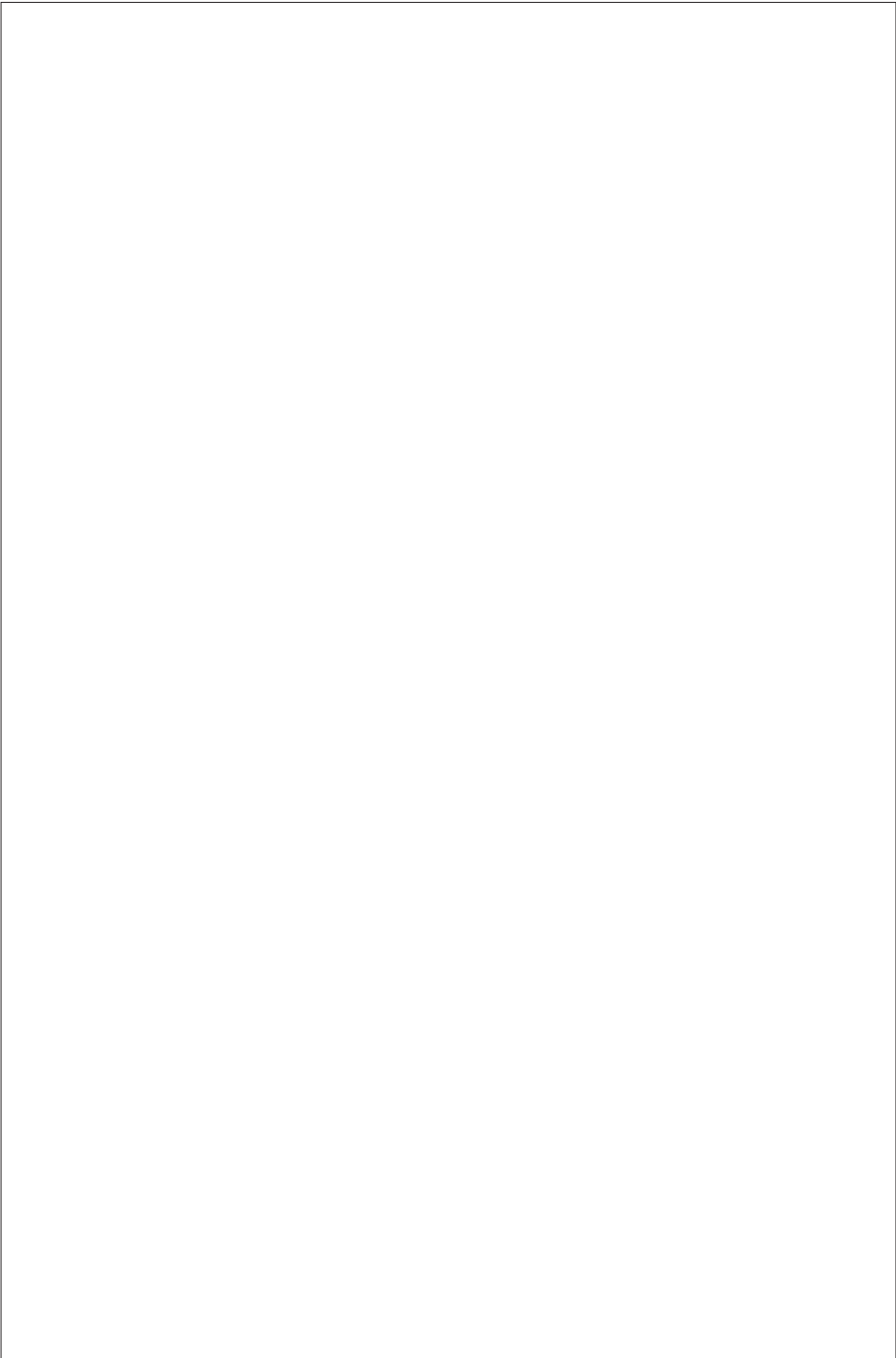
Drive / control 288 W

Power-Management, total maximum load:

IEC type »B« (e.g. USA, Canada, ...): **max. 1350W**



WEEE-Reg.-Nr.  
DE 78284755





**Please keep this operating manual for future reference !**

**It is a part of the table and contains important safety informations.  
When the table is sold, rented out or otherwise passed on to another  
party, it must be handed over with this operating manual.**

moll Funktionsmöbel GmbH  
Rechbergstraße 7  
D 73344 Gruibingen

service@moll-funktion.de  
www.moll-funktion.com

